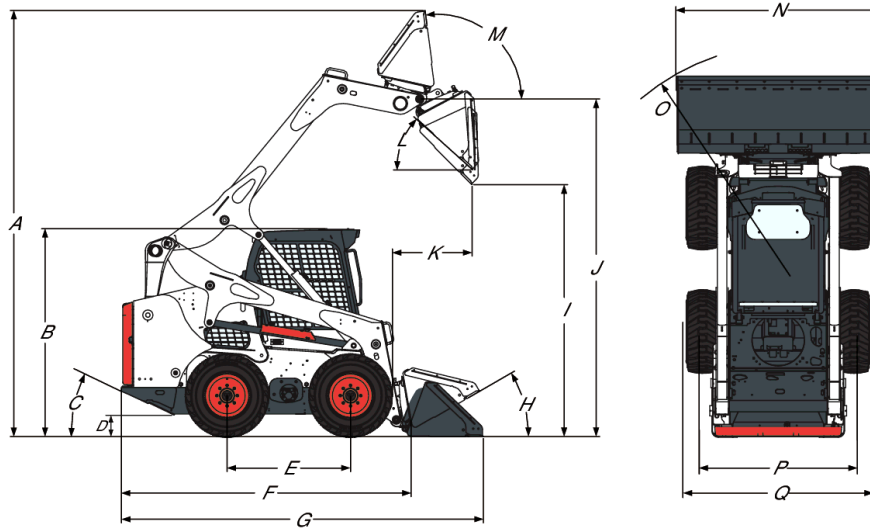


Dimensions



(A) Operating height	4232.0 mm
(B) Height with operator cab	2065.0 mm
(C) Angle of departure	25.0°
(D) Ground clearance	207.0 mm
(E) Wheelbase	1227.0 mm
(F) Length without attachment	2903.0 mm
(G) Length with standard bucket	3597.0 mm
(H) Rollback at ground position	30.0°
(I) Dump height with standard bucket	2649.0 mm
(J) Height to bucket hinge pin	3353.0 mm
(K) Dump reach at maximum height	800.0 mm
(L) Dump angle at maximum height	42.0°
(M) Rollback fully raised at maximum height	98.0°
(N) Width over standard bucket	1880.0 mm
(N) Bucket width, 80-inch	2032.0 mm
(O) Turning radius with standard bucket	2179.0 mm
(P) Track, standard tyres	1507.0 mm
(Q) Width over standard tyres	1832.0 mm

Performance

Tipping load (ISO 14397-1)	3137 kg
Rated operating capacity (ISO 14397-1)	1569 kg
Lift breakout force	2442 daN
Tilt breakout force	2396 daN
Push Force	3259.0
Axle torque	9278.0 Nm

Cycle Times

Raise lift arms	3.9 s
Lower lift arms	2.6 s
Bucket rollback	1.7 s
Bucket dump	2.3 s

Weights

Operating weight	4225 kg
Shipping weight	3787 kg

Engine

Make / Model	Bobcat / D34
Compliancy	97/68 EC Stage IV
Fuel	Diesel
Cooling	Liquid
Power (ISO 14396 Gross) at 2400 RPM	68.7 kW
Torque at 1600 RPM (SAE J1995 Gross)	355.3 Nm
Number of cylinders	4
Displacement	3409 cm ³
Bore	98.0 mm
Stroke	113.0 mm
Lubrication	Gear pump pressure with filter
Crankcase ventilation	Closed breathing
Air filter	Dry replaceable cartridge with safety element
Ignition	Diesel-compression
Starting aid	Intake air heater

Electrical

Alternator	Belt driven — 120 A — open
Battery	12 V — 950 A cold cranking at -18°C — 180 min reserve capacity
Starter	12 V — gear reduction type — 3.0 kW

Hydraulic System

Pump type	Engine driven, gear type
Pump capacity	87.10 L/min
Pump capacity (with high flow option)	138.50 L/min
System relief at quick couplers	23.8-24.5 MPa
Control valve	Three-spool, open-centre type with float detent on lift and electrically controlled auxiliary spool
Hydraulic filter	Full-flow replaceable — 10 µm synthetic media element
Fluid lines	SAE standard tubelines, hoses, and fittings

Hydraulic Cylinders

Lift cylinder (2)	Double-acting
Lift cylinder bore	76.2 mm
Lift cylinder rod	44.5 mm
Lift cylinder stroke	660.0 mm
Tilt cylinder (2)	Double-acting
Tilt cylinder bore	76.2 mm
Tilt cylinder rod	41.4 mm
Tilt cylinder stroke	355.0 mm

Drive System

Transmission	Infinitely variable tandem hydrostatic piston pumps, driving two fully reversing hydrostatic motors
Final drive chains	Pre-stressed #120 HSOC endless roller chain (no master link) and sprockets in sealed chaincase with oil lubrication. (Chains do not require periodic adjustments.) Two chains per side with no idler sprocket.
Main drive	Fully hydrostatic; four-wheel drive
Axle size	70.1 mm, heat treated. Axle tubes welded to chaincase. Labyrinth axle seal protection.
Wheel bolts	Eight M16 wheel bolts fixed to axle hubs

Traction

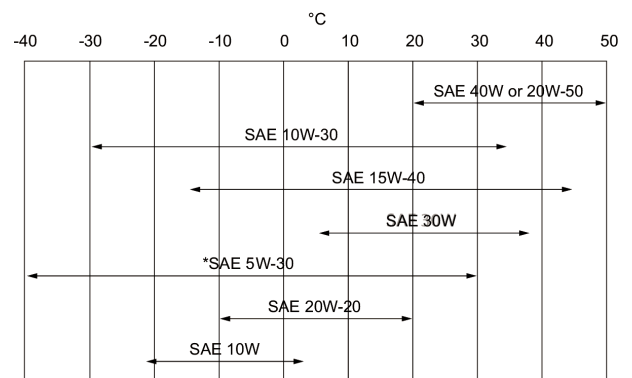
Standard tyres	12 x 16.5, 12-ply, Bobcat heavy duty
Severe duty tyres	12 x 16.5, 12-ply, Bobcat severe duty
Poly fill tyres (option)	12 x 16.5, 12-ply, Bobcat severe duty, poly filled
Solid flex tyres (option)	12 x 16.5, Bobcat solid flex
Max. travel speed (low range)	11.4 km/h
Max. travel speed (high range - option)	19.8 km/h

Fluid Capacities

Chaincase reservoir	41.60 L
Cooling system	14.40 L
Engine oil with filter	12.60 L
Fuel tank	124.20 L
Hydraulic reservoir	9.50 L
Hydraulic / Hydrostatic system	36.00 L
Diesel exhaust Fluid (AdBlue)	17.80 L

Fluid Specifications

Engine coolant	Propylene glycol/water mix (53% - 47%) with freeze protection to -37 °C 5 L can - 6904844A, 25 L container - 6904844B, 209 L drum - 6904844C, 1000 L tank - 6904844D
Engine oil	Oil must meet API Service Classification of CJ-4 or better, or ACEA E9-12 or better. Recommended SAE viscosity number for anticipated temperature range.



Hydraulic fluid	<p>* Can be used only when available with appropriate diesel rating. For synthetic oil use the recommendation from the oil manufacturer.</p> <p>Bobcat Superior SH, 5 L can - 6904842A, 25 L container - 6904842B, 209 L drum - 6904842C, 1000 L tank - 6904842D</p> <p>Bobcat Bio Hydraulic, 5 L can - 6904843A, 25 L container - 6904843B, 209 L drum - 6904843C, 1000 L tank - 6904843D</p> <p>Motor oil is not an acceptable alternative fluid.</p>
-----------------	---

Controls

Engine Starting	Hand lever throttle Key-type starter switch and shutdown or optional keyless start. Intake air heater automatically activated by standard or Deluxe instrument panel.
Front auxiliary (standard) Rear auxiliary (optional) Loader hydraulics tilt and lift Service brake	Electrical switch on right-hand steering lever Electrical switch on left-hand steering lever Separate foot pedals or Selectable Joystick Control (SJC) Two independent hydrostatic systems controlled by two hand-operated steering levers
Secondary brake Parking brake	One of the hydrostatic transmissions Mechanical disk, hand operated rocker switch on dash panel
Parking brake, two-speed option	Spring-applied pressure release multi-disk brake activated by rocker switch
Vehicle steering	Direction and speed controlled by two hand levers or joysticks (optional)
Auxiliary pressure release	Pressure is relieved through the coupler block. Push in and hold for 5 s.

Instrumentation

The following loader functions are monitored by a combination of gauges and warning lights in the operator's line of sight. The system alerts the operator of monitored loader malfunctions by way of audible alarm and visual warning lights.

Standard Instrument Panel

- Gauges
 - Engine coolant temperature
 - Fuel
- Indicators
 - Bobcat Interlock Control System
 - Engine preheat
 - Two speed
 - Turn signals
- Warning lights
 - Engine coolant temperature
 - Fuel level
 - General warning
 - Seat belt
 - Seatbar down
 - Engine malfunction
 - Hydraulic system malfunction
 - Lift and tilt valve, hydraulics lock-out
 - Parking brake
 - Hydraulic oil temperature
 - Engine oil pressure
 - Hydraulic oil pressure
- Buttons
 - Work lights and road lights
 - High flow auxiliary hydraulics
 - Auxiliary hydraulics
 - Information (Hour meter, Engine RPM, Battery voltage, Service codes, Service reminder, Maintenance clock)
 - Traction lock override
 - Press to operate loader
- Rocker switch
 - Parking brake
- Alarm
 - Beep when error, warning or shutdown condition exists

Deluxe Instrument Panel

Same gauges, warning lights and other features as Standard Instrument Panel, plus:

- Gauges
 - Engine oil pressure / temperature
 - Hydrostatic charge pressure
 - Hydraulic oil temperature
 - Battery

- Additional features
 - Keyless start with password capability
 - Digital clock
 - User name and hourmeter
 - Attachments control information
 - Current job hours
 - High Flow lockouts
 - Multi-language display
 - Help screens
 - Diagnostic capability
 - Engine/hydraulic systems shutdown function
 - Password lockout
- Icons
 - Active warnings
 - Vitals (Engine speed, Oil Pressure, Temperature, System voltage, Hydraulic charge pressure, Oil temperature)
 - Service
 - Main screen
 - Attachments
 - Security
 - Display
- Buttons
 - Left scroll
 - Enter
 - Right scroll

Serviceability

Access is available to the following through the rear door/tailgate and rear screen:

- Air cleaner
- Alternator
- Battery
- Cooling radiators
- Engine oil and fuel filters
- Engine oil drain and dipstick
- Hydraulic oil fill
- Starter

Axle hubs provide protection for the axle seals

Bob-Tach™ pivots have replaceable wear bushings

Easy access to all grease points

Rod end of the tilt cylinder has a replaceable bushing

Tailgate has an optional lock for vandal-proofing

Tailgate is equipped with door-stop to hold door open while servicing

Tip-up operator cab gives access to certain hydraulic system components

Standard Features

- Two-speed travel
- High-back adjustable suspension seat
- Bob-Tach™ frame
- Bobcat Interlock Control System (BICS)
- Deluxe operator cab with windows ¹
- CE certification
- Electrically activated proportional front auxiliary hydraulics
- Engine/hydraulics system shutdown

- Hydraulic bucket positioning (including ON/OFF switch)
- Manual
- Lift arm support
- Work lights, front and rear
- Parking brake
- Cushioned lift and tilt cylinders
- Seat bar
- 12 x 16.5, 12-ply, Heavy duty tyres
- Turbo-charger with approved spark arrestor
- Warranty: 24 months or 2000 hours (whichever occurs first)

Options

- Factory Options
 - Deluxe instrument panel
 - Deluxe pressurized cab with heating
 - High-Flow hydraulics
 - Air conditioning
 - Power Bob-Tach™
 - 12 x 16.5, 12-ply, Severe duty tyres
 - 12 x 16.5, Solid flex tyres
 - Advanced Control System (ACS)
 - Selectable Joystick Controls (SJC)
- Dealer Installed Options
 - Air conditioning kit
 - Back up alarm kit
 - Catalytic purifier kit
 - Engine block heater kit
 - Fire extinguisher kit
 - FOPS kit **
 - Fresh air heater kit
 - Front door kit
 - Four-point lift kit
 - Forestry door kit
 - Deluxe instrument panel
 - Heavy duty radio kit
 - Rotating beacon kit
 - Keyless kit
 - Lexan rear window kit
 - Side windows kit
 - Lower duct kit
 - Power Bob-Tach™ kit
 - Plumbing kit for fresh air heater
 - Special applications front door kit
 - 200/300/400 lbs (74.4/111.9/181.4 kg) counterweight kit
 - 7 and 14-pin electrical attachment control kit
 - Individual kits like taillights, headlights, muffler and coupler guard.

Attachments

- Angle Brooms
- Auger Accessories
- Pallet Fork Accessories
- Pallet Forks, Hydraulic

1. Roll Over Protective Structure (ROPS) – meets requirements of SAE-J1040 and ISO 3471; Falling Object Protective Structure (FOPS) - meets requirements of SAE-J1043 and ISO 3449, Level I

- Augers
- Backhoe Accessories
- Backhoes
- Bale Forks
- Box Blades
- Breaker Accessories
- Breakers
- Brushcat™ Rotary Cutters
- Brush Saws
- Combination Buckets
- Concrete Mixers
- Concrete Pumps
- Construction / Industrial Buckets
- Diggers
- Dozer Blades
- Drop Hammers
- Dumping Hoppers
- Fertilizer and Grain Buckets
- Flail Cutters
- Forestry Cutters
- Graders
- Grapples, Industrial
- Landplanes
- Landscape Rakes
- Laser Equipment
- Low Profile Buckets
- Miscellaneous
- Mixing Buckets
- Mowers
- Planer Accessories
- Planers
- Root Grapples
- Rotary Grinders
- Scarifiers
- Scrapers
- Silt Fence Installers
- Skeleton Buckets
- Snow & Light Material Buckets
- Snow Blades
- Snow Pushers
- Snow V-Blades
- Sod Layers
- Soil Conditioners
- Spreaders
- Steel Tracks
- Stump Grinders
- Sweepers
- Tillers
- Tree Transplanters
- Trench Compactors
- Trenchers
- Utility Forks
- Utility Frames
- Vibratory Rollers
- Wheel Saws
- Whisker Brooms
- Wood Chippers

Environmental

Operator LpA(98/37 & 474-1)	83 dB(A)
Noise level LWA(EU Directive 2000/14/EC)	102 dB(A)
Whole body vibration (ISO 2631-1)	1.12 ms ⁻²
Whole body vibration uncertainty	0.45 ms ⁻²
Hand-arm vibration (ISO 5349-1)	1.57 ms ⁻²