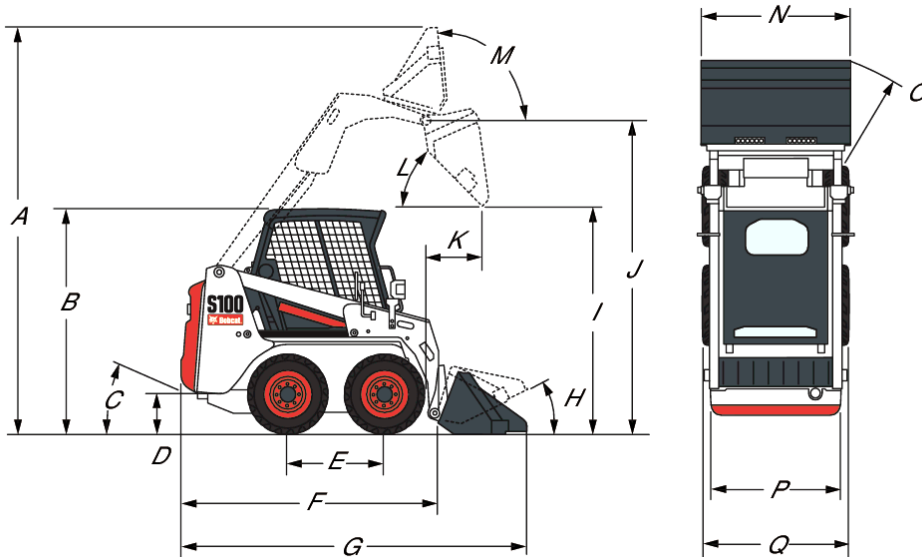


Dimensions



(A) Operating height	3306.0 mm
(B) Height with operator cab	1878.0 mm
(C) Angle of departure	25.0°
(D) Ground clearance	167.0 mm
(E) Wheelbase	818.0 mm
(F) Length without attachment	2262.0 mm
(G) Length with standard bucket	2800.0 mm
(H) Rollback at ground position	26.0°
(I) Dump height with standard bucket	2084.0 mm
(J) Height to bucket hinge pin	2633.0 mm
(K) Dump reach at maximum height	412.0 mm
(L) Dump angle at maximum height	43.0°
(M) Rollback fully raised at maximum height	95.0°
(N) Width over standard bucket	1270.0 mm
(O) Turning radius with standard bucket	1731.0 mm
(P) Track, standard tyres	967.0 mm
(Q) Width over standard tyres	1167.0 mm
(Z) Height to top of beacon	2082.0 mm
(Z) Carry position	234.0 mm

Performance

Tipping load (ISO 14397-1)	915 kg
Rated operating capacity (ISO 14397-1)	457 kg
Lift breakout force	826 daN
Tilt breakout force	867 daN
Push Force	1275 daN

Cycle Times

Raise lift arms	3.6 s
Lower lift arms	2.3 s
Bucket rollback	2.4 s
Bucket dump	1.8 s

Weights

Operating weight (with HD tyres, 50 inch C/I bucket)	1860 kg
Shipping weight (with HD tyres, without bucket)	1693 kg
Operating weight (with SOLID tyres, 50 inch C/I bucket)	2149 kg
Shipping weight (with SOLID tyres, without bucket)	2074 kg

Engine

Make / Model	Kubota / V1505-T4F-ST5
Cooling	Liquid
Maximum power at 2300 RPM (ISO 14396)	18.2 kW
Rated RPM (EEC 80/1269, ISO 9249)	2300.0 RPM
Torque at 1600 RPM (ISO 9249) Gross	86.4 Nm
Number of cylinders	4
Displacement	1498 cm ³
Bore	78.0 mm
Stroke	78.4 mm
Lubrication	Gear pump pressure system with filter
Crankcase ventilation	Closed breathing
Air filter	Dry replaceable cartridge with separate safety element
Ignition	Compression (diesel)
Starting aid	Glow plugs

Electrical

Alternator	Belt driven — 90 A — ventilated
Battery	12 V — 600 A cold cranking at -18°C — 115 min reserve capacity
Starter	12 V — gear reduction type — 2.0 kW

Hydraulic System

Pump type	Engine driven, gear type
Pump capacity	36.00 L/min
System relief at quick couplers	20.7 MPa
Control valve	Three-spool, open-centre type with float detent on lift and auxiliary spool with detent in one direction (manual)
Hydraulic filter	Full-flow replaceable — 3 µm synthetic media element
Fluid lines	SAE standard tubelines, hoses, and fittings

Hydraulic Cylinders

Lift cylinder (2)	Double-acting
Lift cylinder bore	50.8 mm
Lift cylinder rod	31.8 mm
Lift cylinder stroke	653.5 mm
Tilt cylinder (2)	Double-acting with cushioning feature on dump and rollback
Tilt cylinder bore	57.2 mm
Tilt cylinder rod	31.8 mm
Tilt cylinder stroke	307.1 mm

Drive System

Transmission	Infinitely variable tandem hydrostatic piston pumps, driving two fully reversing hydrostatic motors
Final drive chains	Pre-stressed #80 HSOC endless roller chain (no master link) and sprockets in sealed chaincase with oil lubrication. (Chains do not require periodic adjustments.) Two chains per side with no idler sprocket.
Main drive	Fully hydrostatic; four-wheel drive
Axle size	44.5 mm, heat treated. Axle tubes welded to chaincase.
Wheel bolts	Six 9/16–inch wheel bolts fixed to axle hubs

Traction

Heavy duty tyres	27 x 8.50-15, 6–ply, Bobcat heavy duty tyres
Max. travel 1 speed (manual controls)	8.2 km/h
Max. travel 2-speed (SJC controls)	13.4 km/h

Fluid Capacities

Chaincase reservoir	22.00 L
Cooling system	11.00 L
Engine oil with filter	4.50 L
Fuel tank	45.00 L
Hydraulic / Hydrostatic system	22.00 L
Hydraulic reservoir / filled volume	18.50 L
Hydraulic reservoir / filled volume	13.00 L

Fluid Specifications

Engine coolant

Bobcat PG Coolant

5 l can - 6904844A

25 l container - 6904844B

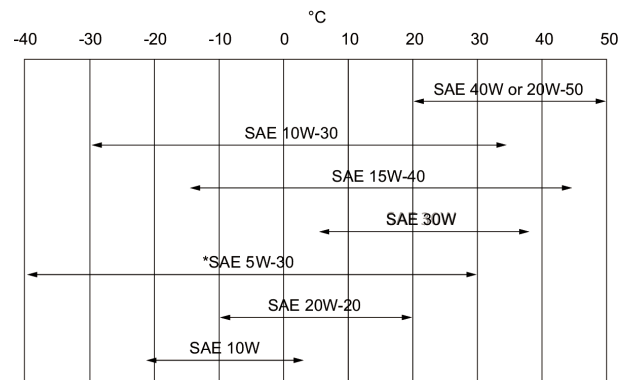
209 l drum - 6904844C

1000 l tank - 6904844D

Engine oil

Oil must meet API Service Classification of CD, CE, CF4, CG4, or better.

Recommended SAE viscosity number for anticipated temperature range.



* Can be used only when available with appropriate diesel rating.

For synthetic oil use the recommendation from the oil manufacturer.

Hydraulic fluid

Bobcat Superior SH

5 l can - 6904842A

25 l container - 6904842B

209 l drum - 6904842C

1000 l tank - 6904842D

Bobcat Bio Hydraulic

5 l can - 6904843A

25 l container - 6904843B

209 l drum - 6904843C

1000 l tank - 6904843D

Controls

Engine Starting	Hand lever throttle
Front auxiliary (standard)	Key-type starter switch and shutdown. Glow plugs automatically activated on standard instrumentation panel.
Loader hydraulics tilt and lift	Lateral movement of right-hand steering lever
Service brake	Separate foot pedals
Secondary brake	Two independent hydrostatic systems controlled by two hand-operated steering levers
Parking brake	One of the hydrostatic transmissions
Vehicle steering	Mechanical disk, hand-operated rocker switch on dash panel
Auxiliary pressure release	Direction and speed controlled by two hand levers
	Lateral movement of right-hand steering lever after engine has been shut off.

Instrumentation

The following loader functions are monitored by a combination of gauges and warning lights in the operator's line of sight. The system alerts the operator of monitored loader malfunctions by way of audible alarm and visual warning lights.

Standard Instrument Panel
Deluxe Instrument Panel

Serviceability

Access is available to the following through the rear door/tailgate and rear screen:

- Air cleaner
- Alternator
- Battery
- Cooling radiators
- Engine oil and fuel filters
- Engine oil drain and dipstick
- Hydraulic oil fill
- Starter

Axle hubs provide protection for the axle seals
Bob-Tach™ pivots have replaceable wear bushings
Easy access to all grease points
Rod end of the tilt cylinder has a replaceable bushing
Tailgate has an optional lock for vandal-proofing
Tailgate is equipped with door-stop to hold door open while servicing
Tip-up operator cab gives access to certain hydraulic system components

Standard Features

- Bobcat Interlock Control System (BICS)
- Hand and Foot Controls
- Operator cab Deluxe ¹
- Standard Seat
- Seat belt
- Seat bar
- Bob-Tach™ frame
- 27 x 8.50-15, 6-ply, Bobcat heavy duty tyres
- Auxiliary hydraulics: variable flow/maximum flow
- Operating lights, front and rear

- Lift arm support
- Parking brake
- Spark arrestor muffler
- Engine/hydraulics system shutdown
- Automatically activated glow plugs
- Manual
- Warranty: 24 months or 2000 hours (whichever occurs first)

Options

- Factory Options
 - Selectable Joystick Controls (SJC)
 - Two speed with 3-point belt
 - Deluxe pressurized cab with heating
 - Cloth Suspension Seat
 - Vinyl Suspension Seat
 - Keyless start with password capability
 - Power Bob-Tach™
 - Hydraulic bucket positioning (including ON/OFF switch)
 - Back-up alarm
 - 28x9-15 Hard Duty Solid Tyres
 - Road kit
 - Beacon
- Dealer Installed Options
 - Cab enclosure kit
 - Lexan rear window kit
 - Counterweights
 - Side windows kit
 - Top window kit Lexan
 - Front door kit
 - Lexan door kit
 - Special applications front door kit
 - Counterweight kit
 - Single-point lift kit
 - Hydraulic bucket positioning kit
 - Power Bob-Tach™ kit
 - Back up alarm kit
 - Fire extinguisher kit
 - Fresh air heater kit
 - Plumbing kit for fresh air heater
 - Rear window wiper kit
 - Warning lights: rotating beacon, strobe light
 - Seat belt kit
 - Third gas spring kit (for heated cab)
 - Additional gas spring kit (for tipping the cab)
 - Tailgate lock kit
 - Fuel cap locking kit
 - FOPS kit

1. Roll Over Protective Structure (ROPS) – meets requirements of SAE-J1040 and ISO 3471; Falling Object Protective Structure (FOPS) - meets requirements of SAE-J1043 and ISO 3449, Level I. Cab Deluxe includes Interior cab foam, top and rear windows, deluxe wire harness, domelight and electrical power port.

Attachments

- Auger Accessories
- Augers
- Bale Forks
- Breaker Accessories
- Breakers
- Brushcat™ Rotary Cutters
- Brush Saws
- Combination Buckets
- Construction / Industrial Buckets
- Dumping Hoppers
- Grapples, Industrial
- Landplanes
- Low Profile Buckets
- Miscellaneous
- Mowers
- Pallet Fork Accessories
- Planer Accessories
- Rear Stabilizers
- Remote Control
- Root Grapples
- Scrapers
- Skeleton Buckets
- Snow Blades
- Soil Conditioners
- Sweepers
- Tillers
- Utility Forks
- Utility Frames

Environmental

Noise level LpA(EU Directive 2006/42/EC)	86 dB(A)
Operator LpA uncertainty	2 dB(A)
Noise level LWA(EU Directive 2000/14/EC)	96 dB(A)
Noise level LWA uncertainty	
Hard-arm vibration uncertainty	